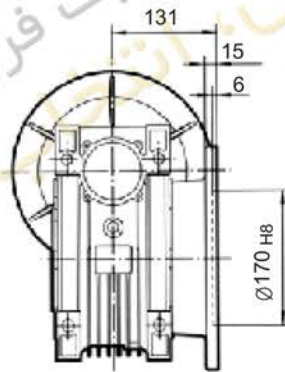
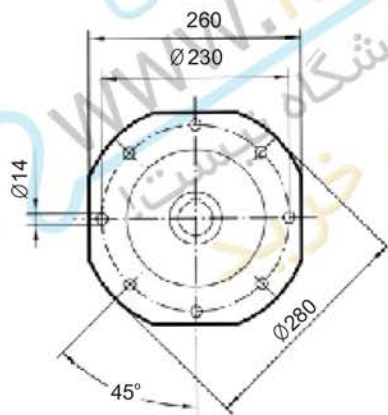
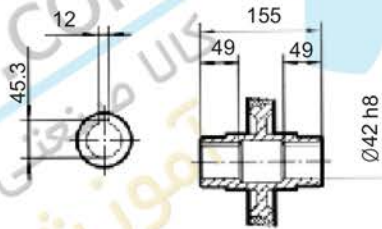
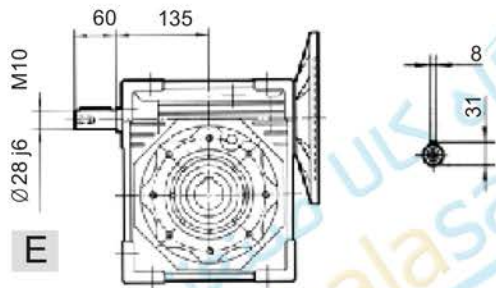
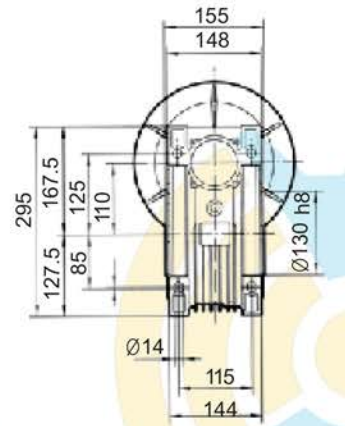
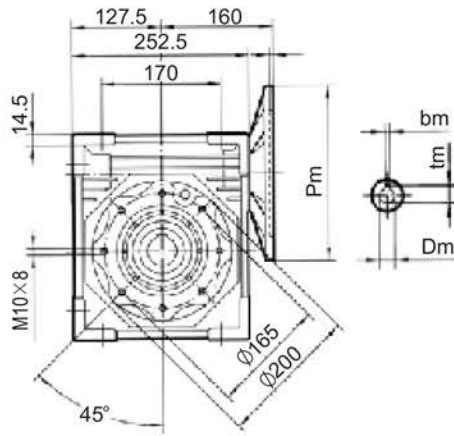
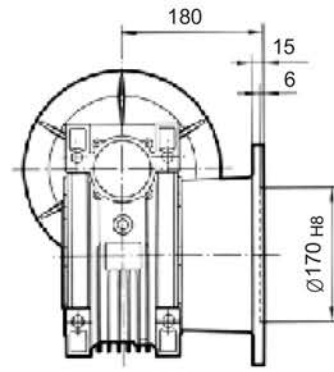


■ NMRV110

Weight without motor ≈ 35kg



FA



FB

PAM IEC	P _m	D _m E8	b _m	t _m
132B5	300	38	10	41.3
112B5	250	28	8	31.3
100B5	250	28	8	31.3
90B5	200	24	8	27.3
80B5	200	19	6	21.8